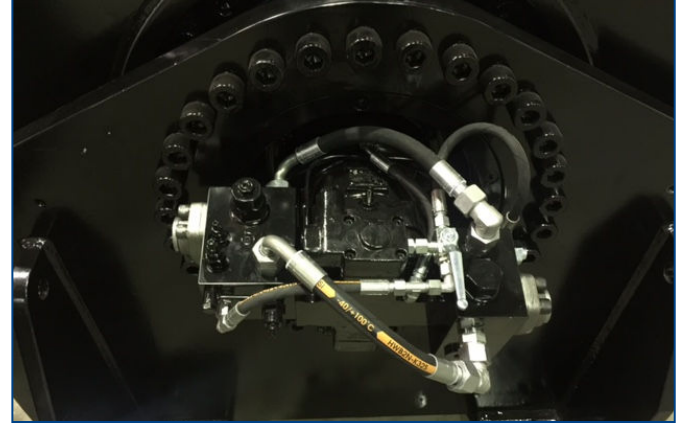
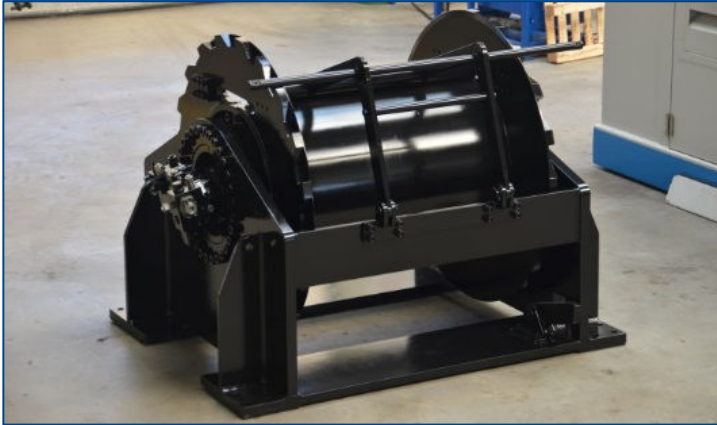


## DHW488-300-300-38-ZPG



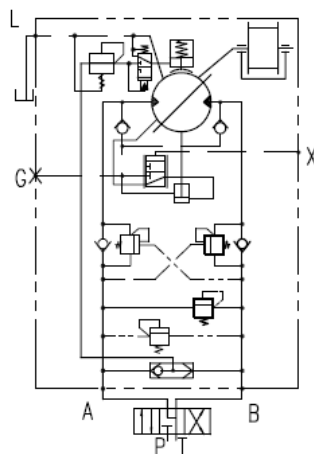
### Description

A hydraulic driven winch fitted with a variable axial piston motor with a direct mounted counter balance valve and planetary gearbox with failsafe brake.

Optional: this winch is also available with a variable displacement hydraulic motor. Please consult us for more information.

LD is low displacement  
HD is high displacement

### Hydraulic diagram



### Technical details

Max. line pull 1 <sup>st</sup> layer:	300 kN @ 280 bar
Max. line pull 1 <sup>st</sup> layer:	150 kN @ 280 bar
Max. speed 1 <sup>st</sup> layer HD:	12 m/min @ 200 L/min
Max. speed 1 <sup>st</sup> layer LD:	24 m/min @ 200 L/min
Max. brake force:	500 kN
Wire rope diameter:	38 mm
Wire rope storage:	480 m (in 5 layers)
Drum flange diameter:	1430 mm
Drum diameter:	810 mm
Drum length:	1190 mm
Frame length:	2018 mm
Frame width:	1560 mm
Frame height:	1505 mm
Gearbox:	IGT220W3 i=246
Hydraulic motor:	A6VE160
IDEN no.:	J48852W

